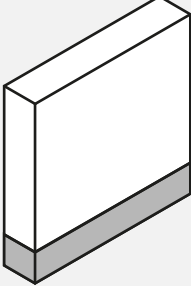


WOW garden

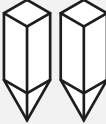
1. Mark the area for the WOWpanel/WOWacoustic structure.
2. Dig a foundation trench 50 cm wide and at least 80 cm deep *(depending on the frost zone, the maximum trench depth can be up to 140 cm).
3. At the bottom of the trench, mark the location to drive in the leveling bases so that the distance between them is less than the width of the panel.
4. Drive the leveling bases into the ground so that they extend about 10 cm above the bottom of the trench.

* If the foundation trench is deeper than 80 cm, fill the trench up to the -80 cm level with a sand-cement mix base layer (alternatively, you can use other materials typically used for base layers such as mineral aggregate).


Included in the set:
WOWpanel or WOWacoustic fence panel x 1 piece



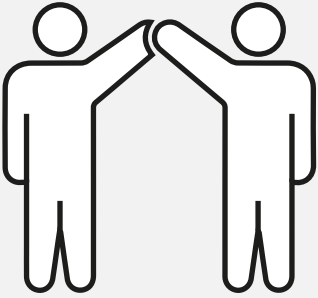
Leveling bases x 2 pieces




Rebar x 2 pieces



It is best to assemble the panel with two people



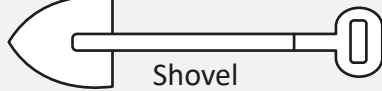
Auxiliary materials not included in the set:



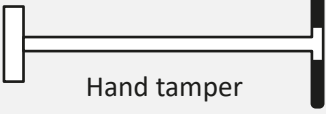
Sand-cement mix (dry concrete) class B-10, minimum 0.25 m³ per 1 meter of fence (for a foundation trench with a depth of 80cm)

***Note: For filling the foundation trench directly around the panel, only use a sand-cement mix.**


Steel rods (minimum length 1m) x 4 pieces




Shovel



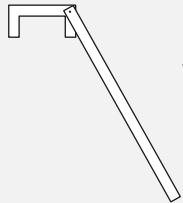
Hand tamper



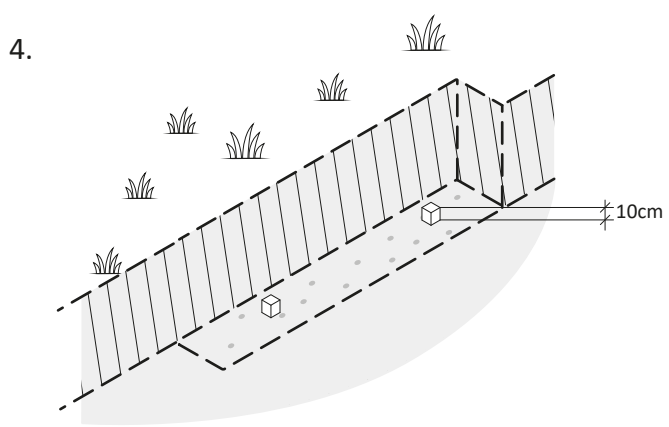
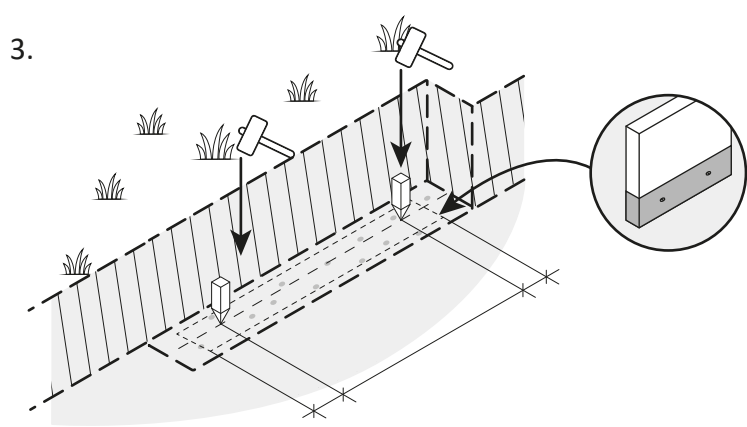
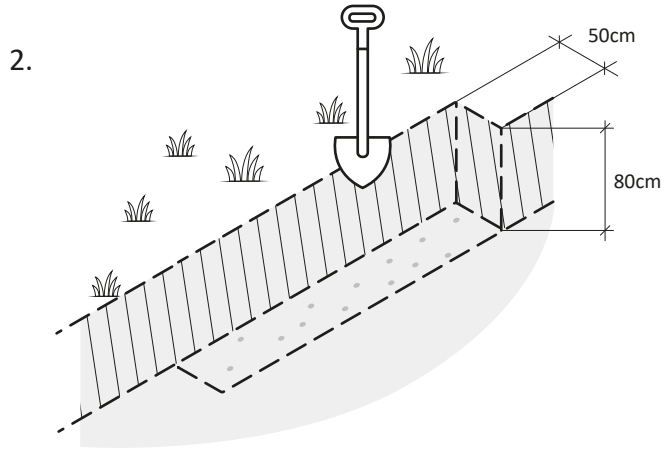
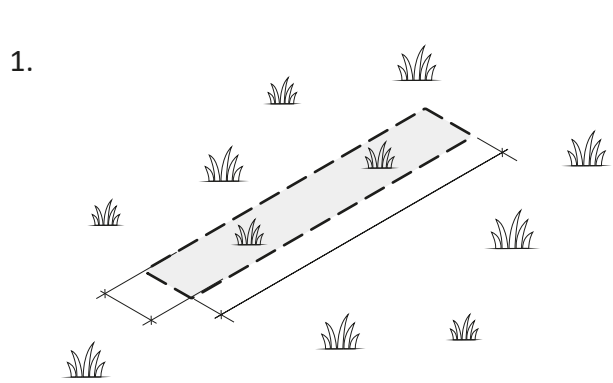
Level



Hammer

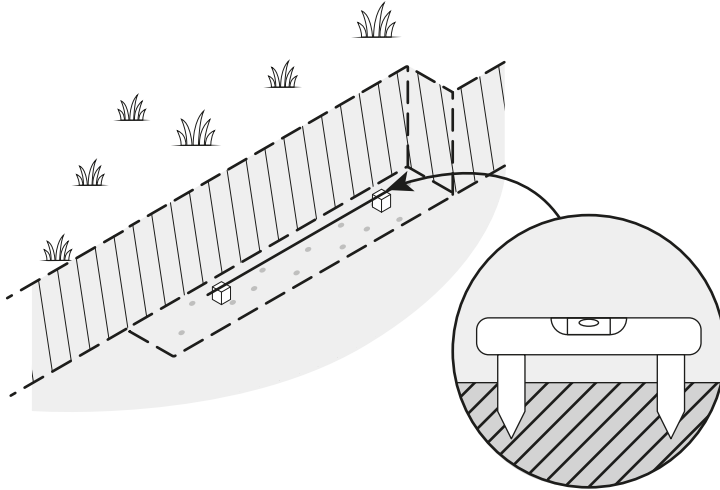


Vertical support bracket

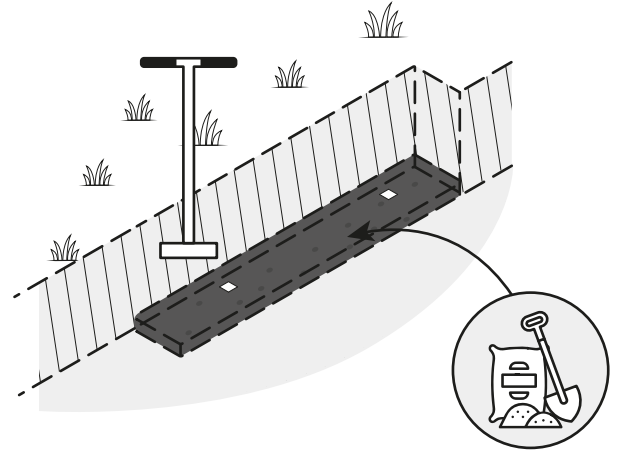


5. While driving in the bases, ensure they are level relative to each other.
6. Lay a 10 cm thick layer of sand-cement mix at the bottom of the trench (up to the level marked by the leveling bases).

5.

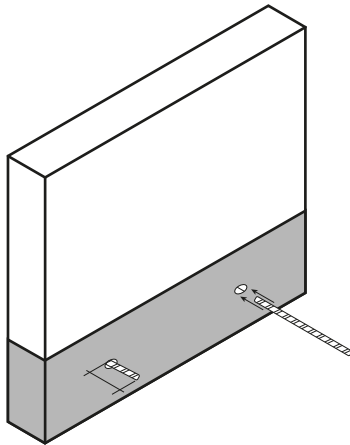


6.

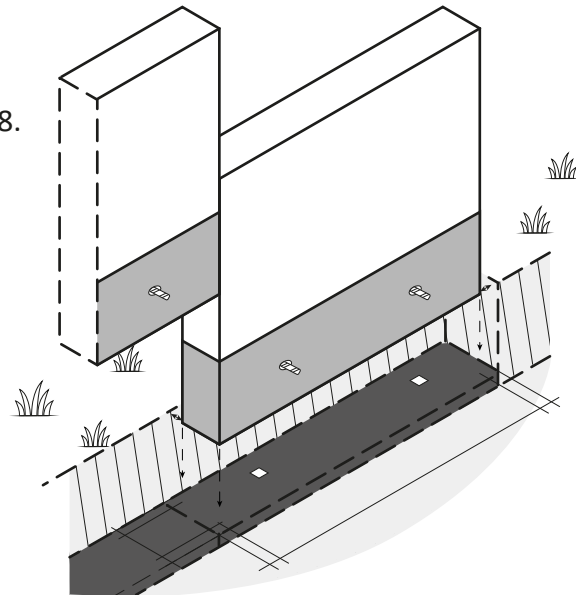


7. Insert the provided rebar (2 pieces) into the prepared holes in the panel.
8. Place the panel in the trench on the bases so that the line where the insulation layer meets the decorative plaster on the panel aligns with the ground level at the surface of the trench. If necessary, adjust the base layer to achieve the described effect.

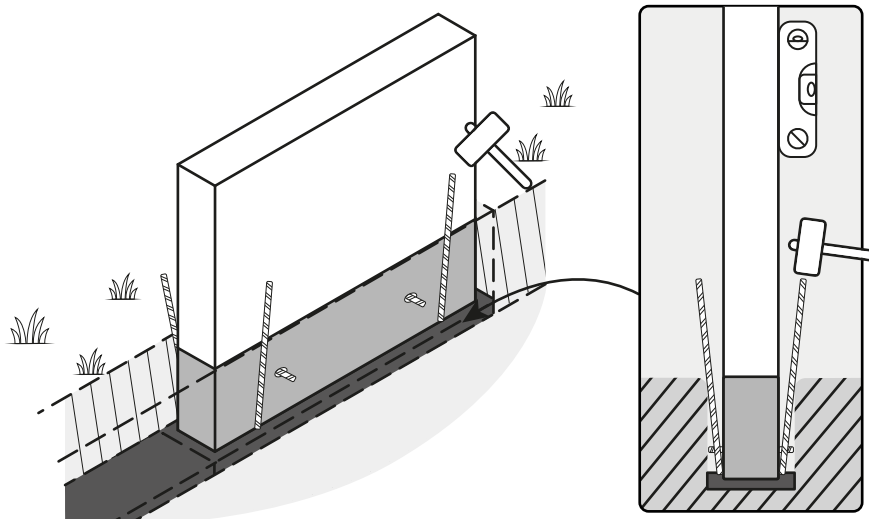
7.



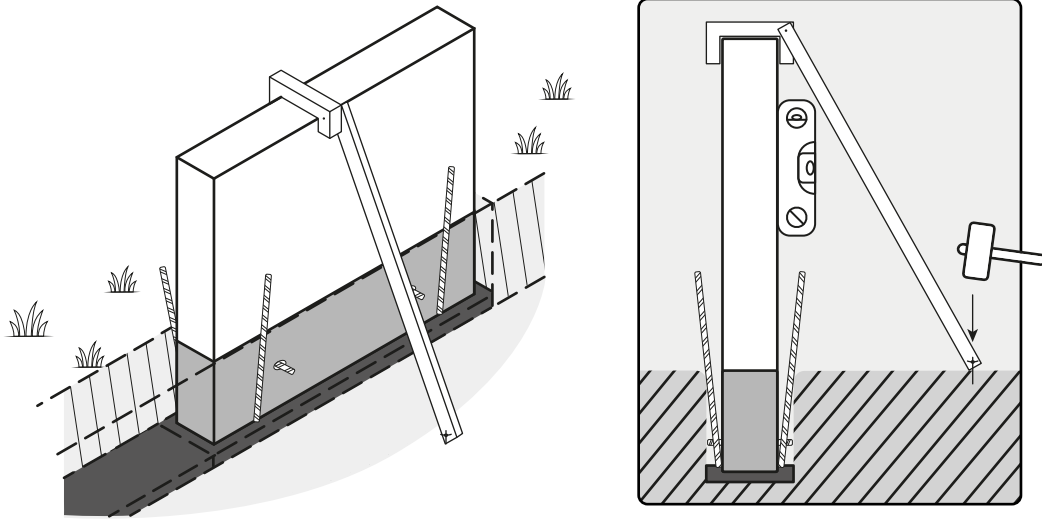
8.



9. Level and vertically align the panel, then secure it in place in the trench using 4 steel rods and the vertical support bracket (as described in step 10).

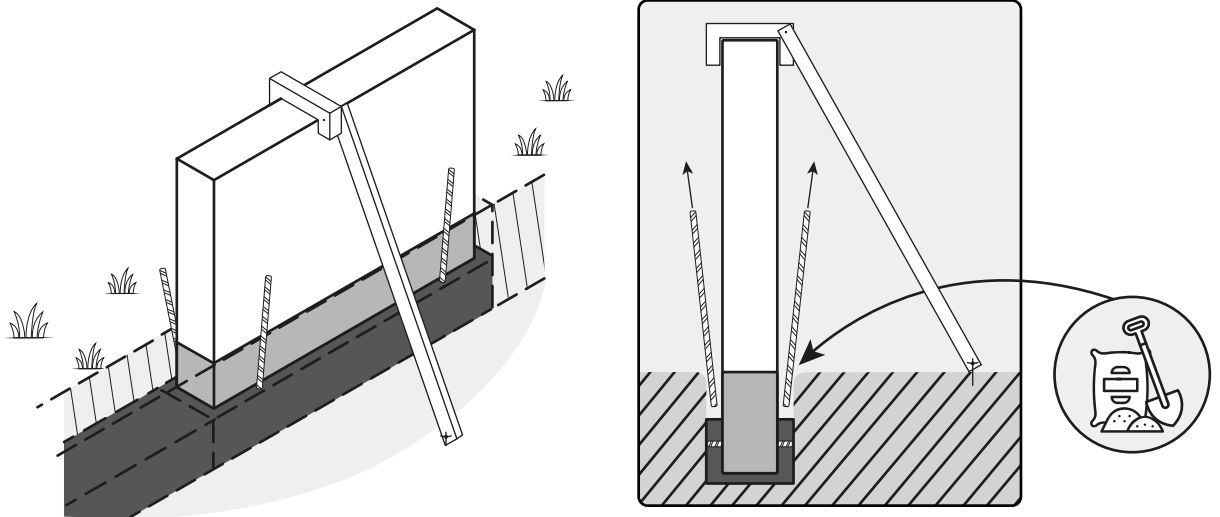


10. To use a bracket for vertical alignment.



11. Fill the foundation trench evenly around the panel in layers, lightly compacting (tamping) the sand-cement mix to about 5 cm below the ground level around the foundation trench. During the filling process, monitor the vertical alignment of the panel.

Note: Remove the steel rods used to secure the panel in the trench after filling about half of the foundation trench.



12. After the sand-cement mix has hardened in the foundation trench, fill the remaining 5 cm of the trench with a layer of decorative gravel.

